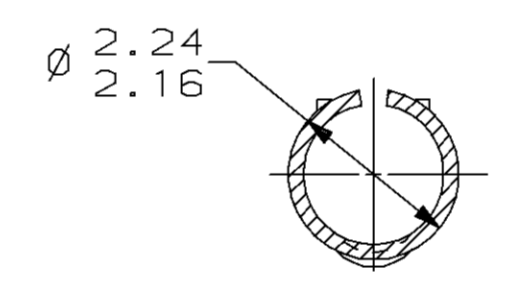
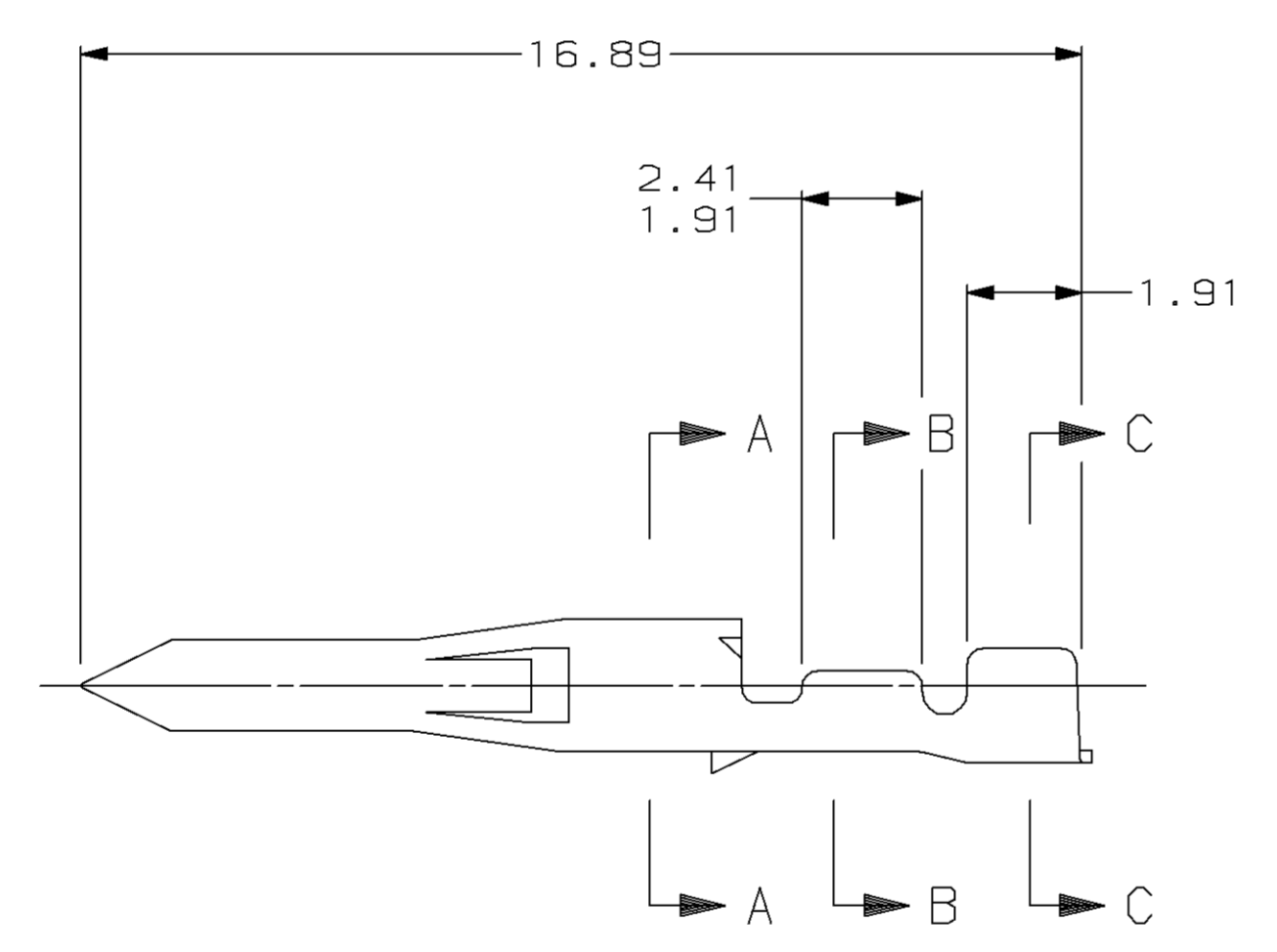
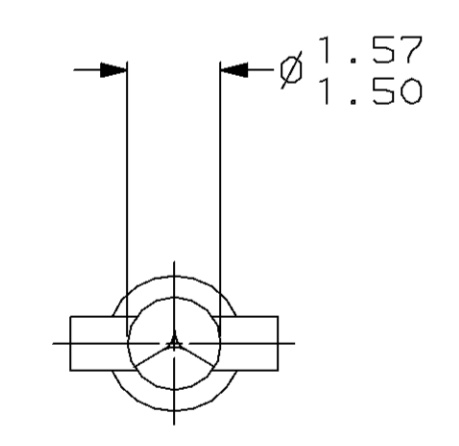
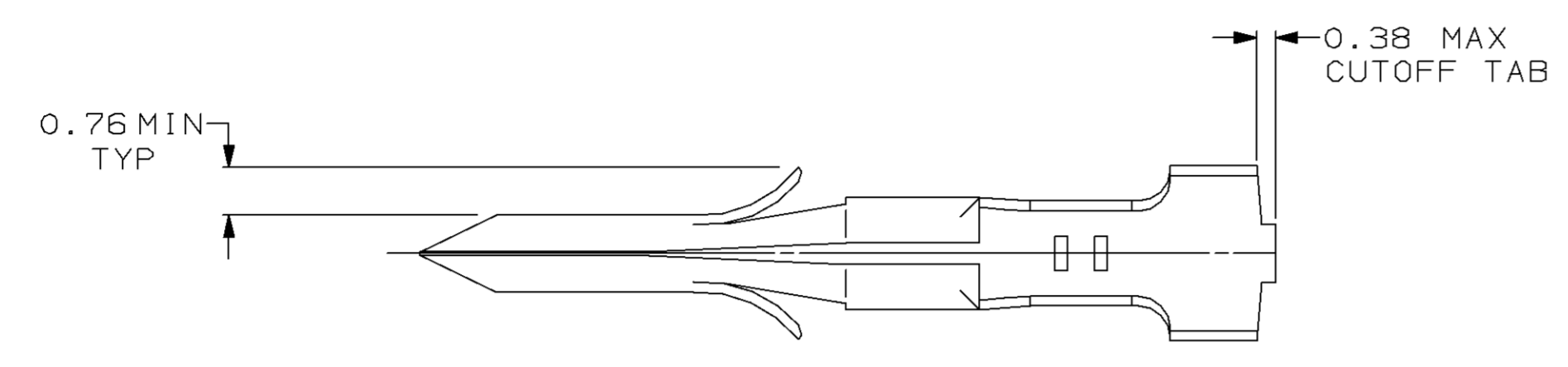
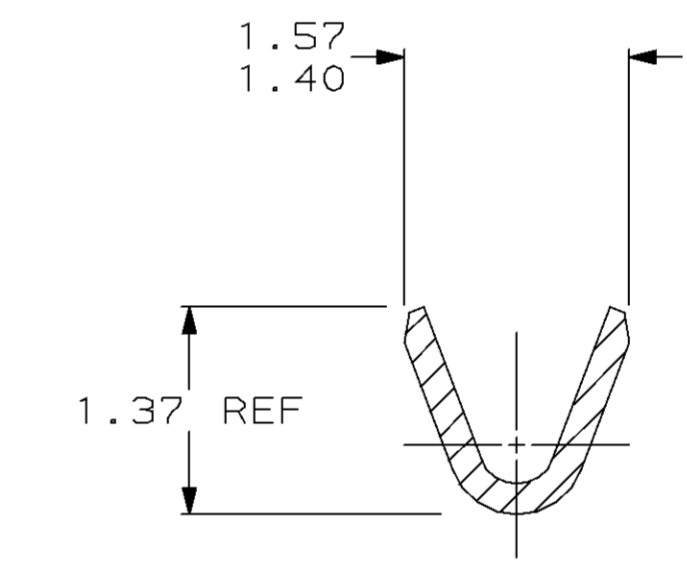


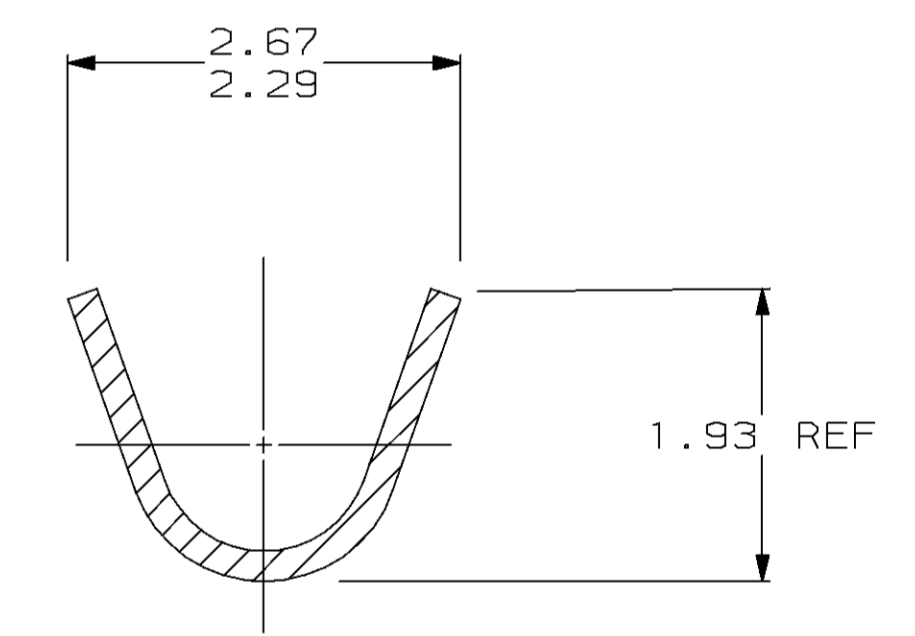
LOC		DIST		P		F		ZONE		LTR		REVISIONS		DATE	APPD	
CM	53												0	RELEASED PER PR CM 93-69	7-14-93	LS RS



SECTION A-A
SCALE 10:1



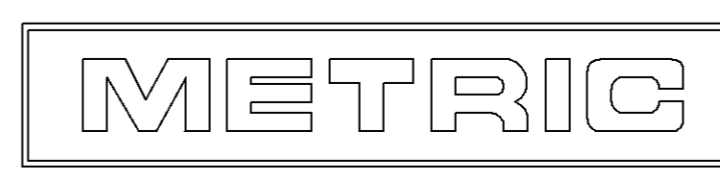
SECTION B-B
SCALE 20:1



SECTION C-C
SCALE 20:1

1.91	.075		
1.57	.062		
1.52	.060		
1.50	.059	16.89	.665
1.40	.055	2.67	.105
1.37	.054	2.41	.095
0.76	.030	2.29	.090
0.38	.015	2.24	.088
0.20	.008	2.16	.085
0.13	.005	1.93	.076
MM	IN	MM	IN

CONVERSION TABLE



PRE-TIN	0.20 BRASS	1.52 MAX	0.2 - 0.5 mm ² (30-24 AWG)	794018-1
FINISH	MATERIAL	INSULATION DIAMETER	WIRE RANGE	PART NO
DO NOT SCALE PRINT. UNLESS SPECIFIED DIMENSIONS IN mm TOLERANCES ON: 2 PLC DEC ± 0.13 3 PLC DEC ± - ANGLES ± -	DR 7-14-93 L. SMITH CHK 7-14-93 R. SWING APPD 7-15-93 C. CASH	AMP Incorporated Harrisburg, PA 17105-3608		
SEE TABLE	APPD 7-15-93 C. CASH	NAME .062 PIN, LOOSE PIECE, COMMERCIAL PIN AND SOCKET		
FINISH SEE TABLE	APPLICATION SPEC -	SIZE Ø 00779	CAGE CODE 00779	DRAWING NO 794018
	WEIGHT -	SCALE 8:1		SHEET 1 OF 1